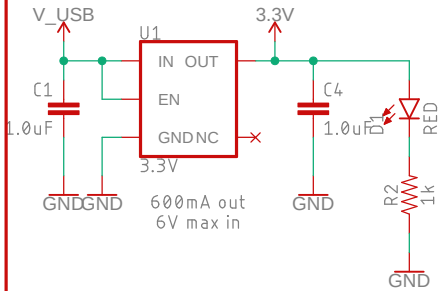
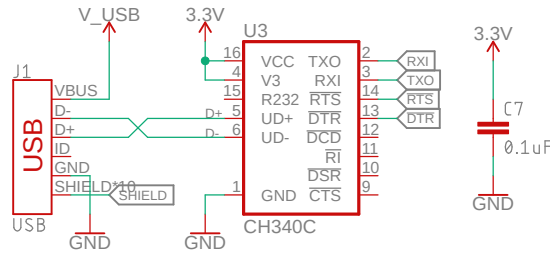


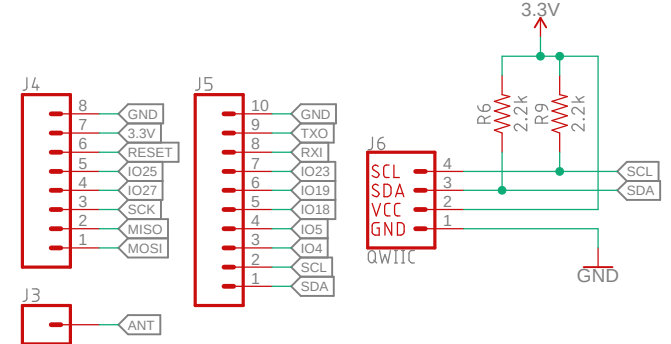
Voltage Regulator



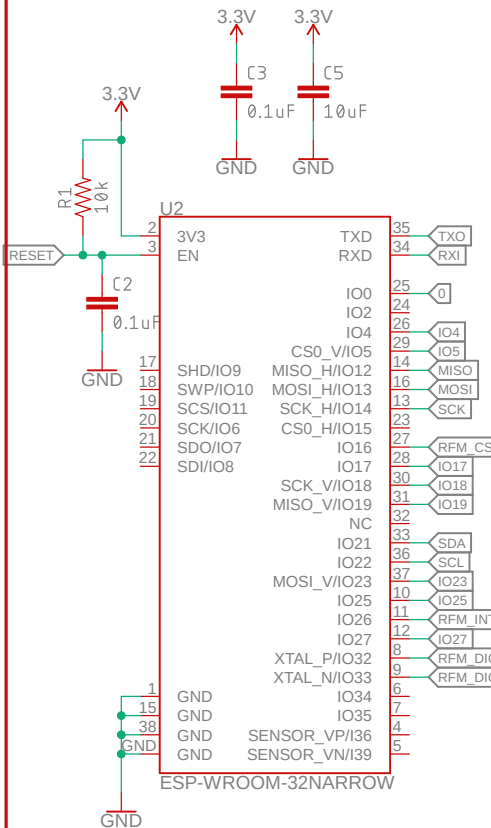
USB-to-Serial



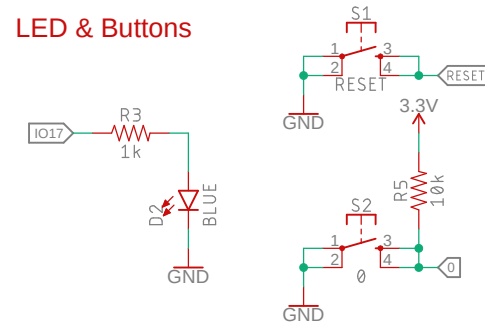
I/O pins



ESP32-WROOM



LED & Buttons

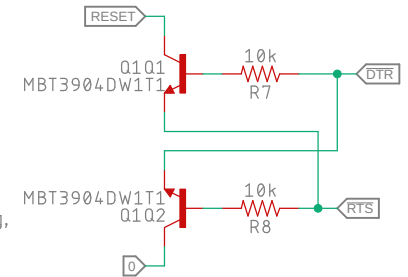


Auto-Reset

Boot Mode Configuration

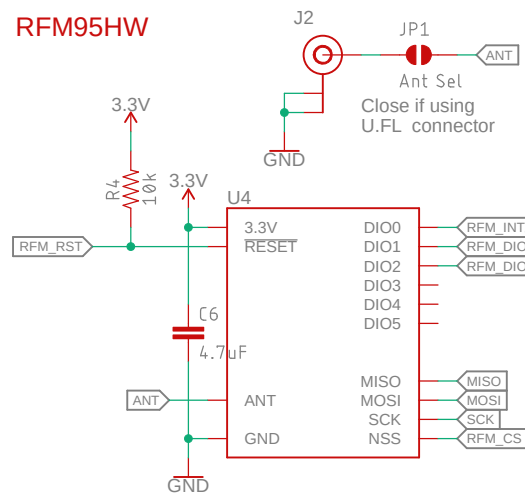
Pin	Default	Boot	Download
GPIO0	1	1	0
U0TXD	1	1	x
GPIO2	0	x	0
GPIO4	0	x	x
MTDO	1	x	x
GPIO5	1	1	x

If U0TXD, GPIO2, GPIO5 are floating, GPIO0 determines boot mode



If DTR is LOW, toggling RTS from HIGH to LOW resets to run mode.
If RTS is HIGH, toggling DTR from LOW to HIGH resets to bootloader.

RFM95HW



Released under the Creative Commons Attribution Share-Alike 4.0 License
<https://creativecommons.org/licenses/by-sa/4.0/>

TITLE: ESP32_LoRa_1_Channel_Gateway

Design by: Jim Lindblom

Revision By: Owen Lyke

REV: v10

Date: 11/14/2018 9:36 AM

Sheet: 1/1