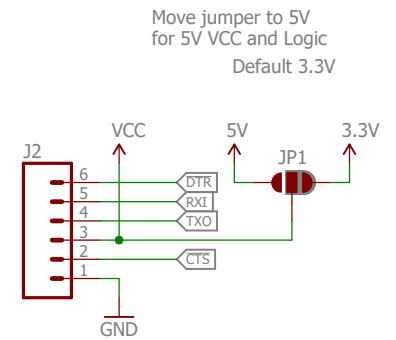
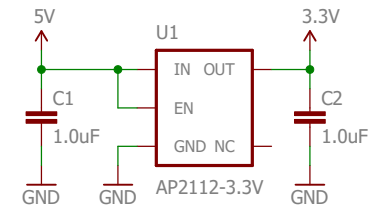


USB to Serial



Serial Connection



3.3V Regulation



Released under the Creative Commons Attribution Share-Alike 4.0 License
<https://creativecommons.org/licenses/by-sa/4.0/>

TITLE: SparkFun-Serial-Basic-CH340-v10

Design by: N. Seidle

REV: v10

Date: 11/8/2016 9:23 AM

Sheet: 1/1